

**Wall hung adapted toilet pan**

**TECHNICAL DATA**

- AISI 304 stainless steel wall hung adapted toilet pan.
  - Horizontal water outlet.
  - Vandalproof, fully welded and polished without cutting edges.
  - Designed for high frequency public bathrooms.
  - Easy to clean, durability and resistance against rust and corrosion.
  - Satin finished stainless steel.
- 
- Made of AISI 304 stainless steel plate.
  - Dimensions: 340 height x 370 width x 700 depth (mm).
  - Water inlet Ø32 mm (rubber washer included) water outlet Ø100 mm.
  - Holes not included - drilling is optional.
  - Suitable for manual or automatic flusher systems.
  - Optionally toilet cover with lid available in wood (NOFER 5000AR) or stainless steel (NOFER 15029.S).
  - Equipped with wall fixation plate and fixing materials.
  - Maintenance: stainless steel needs maintenance because dust can eventually damage the chrome (Cr) in stainless steel. We recommend monthly cleaning with a stainless steel special cleaner.

**SUGGESTED TEXT FOR PRESCRIPTION**

NOFER AISI 304 stainless steel wall hung adapted toilet pan. Satin finish. Horizontal water outlet. Dimensions: 340 height x 370 width x 700 depth (mm). Water inlet Ø32 mm and water outlet Ø100 mm.



NOFER S.L.  
 Avenida de la fama, 118  
 08940 · Cornellà de Llobregat (Barcelona)  
 Tel +34 934 742 423 · Fax +34 934 743 548  
 export@nofer.com · www.nofer.com

**Related Products**

**13004.S**

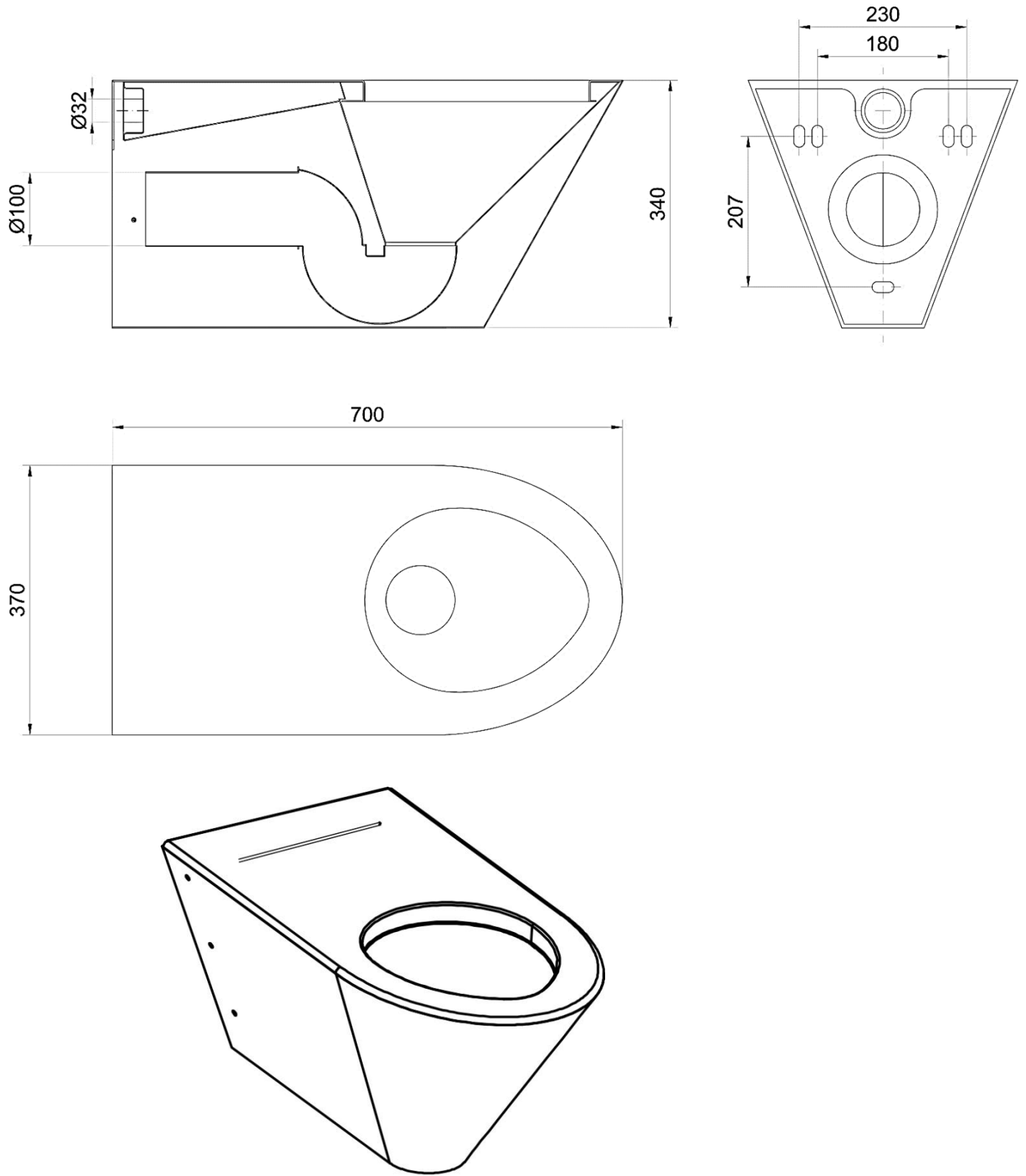
**13002.S**

**13012.S**

**13016.B**

**13024.S**

TECHNICAL DRAWING



DIMENSIONS IN mm.